

# 326P4

# 326P5

## X-series

# Saw attachment

**Spare parts**

**Ersatzteile**

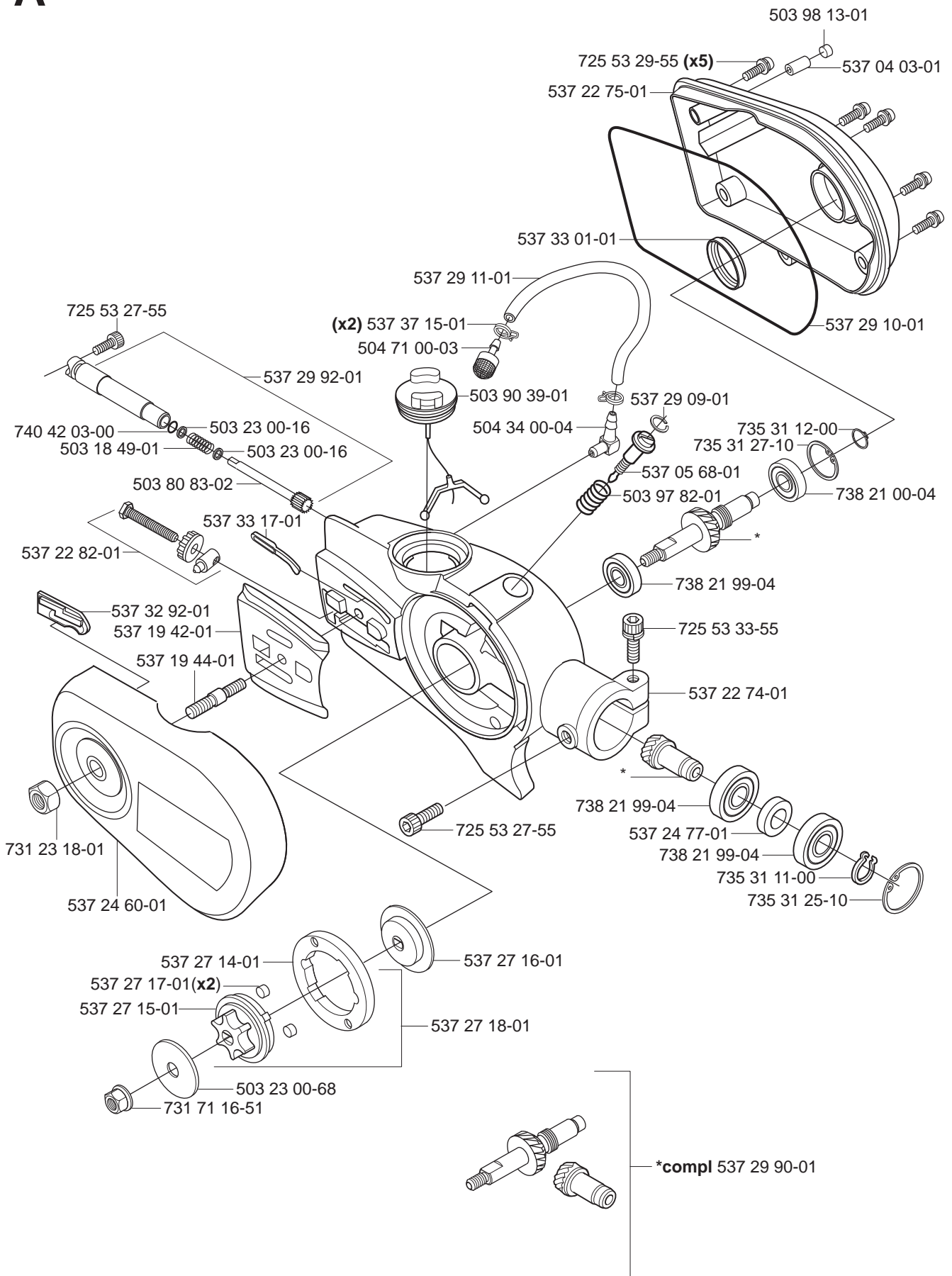
**Pièces détachées**

**Reserve onderdelen**

**Repuestos**

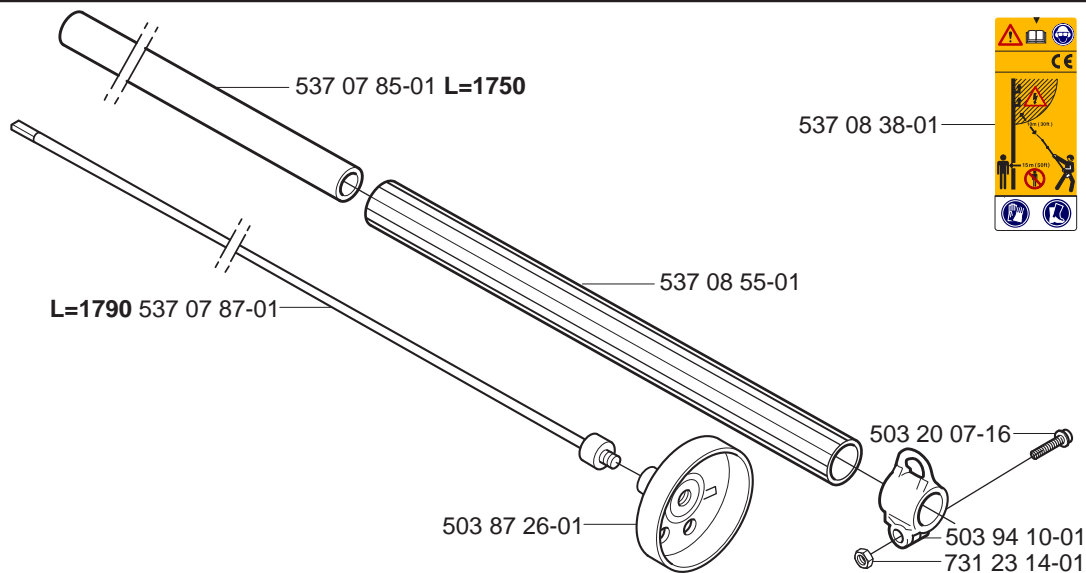
**Reservdelar**

**A**

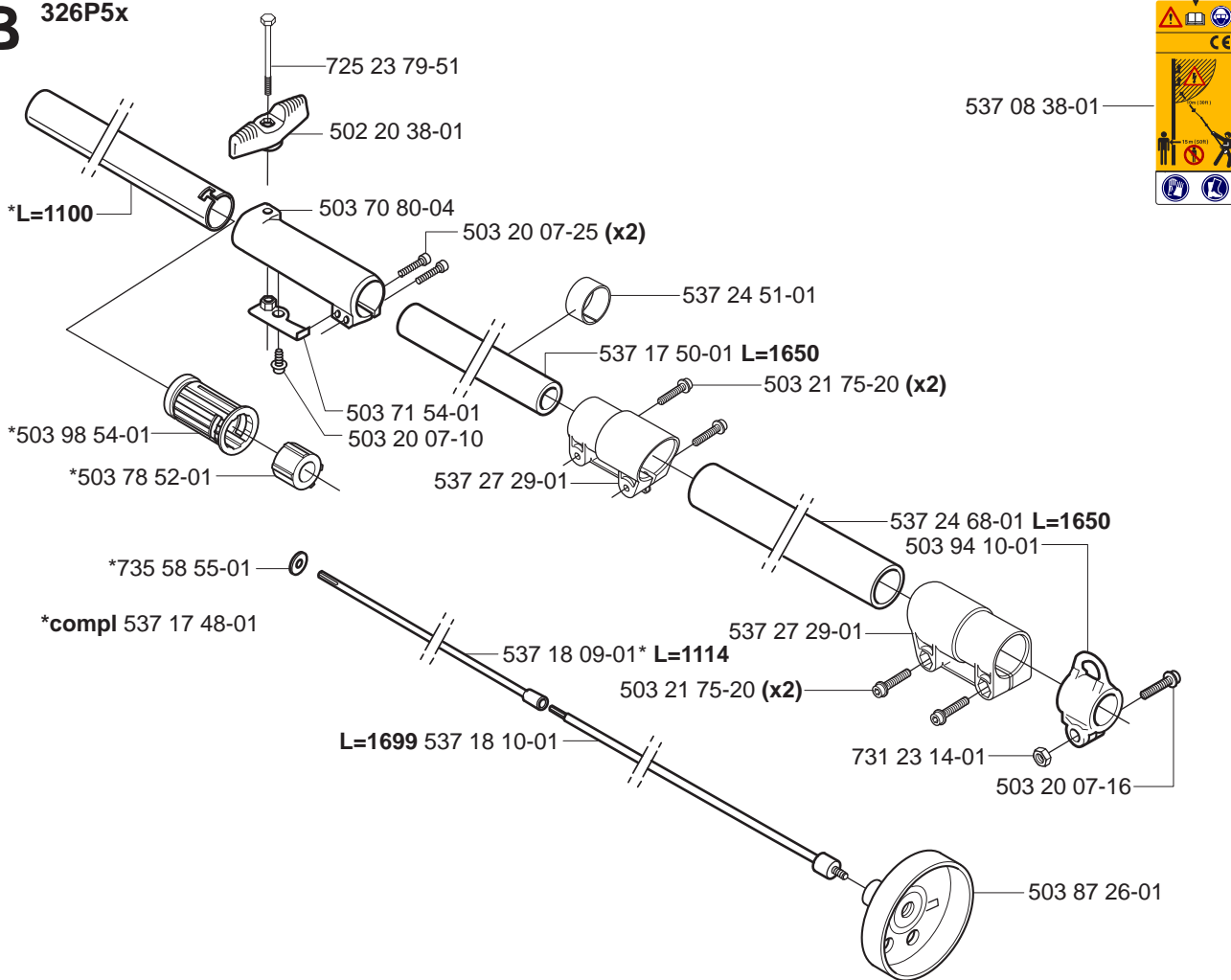


537 23 00-01

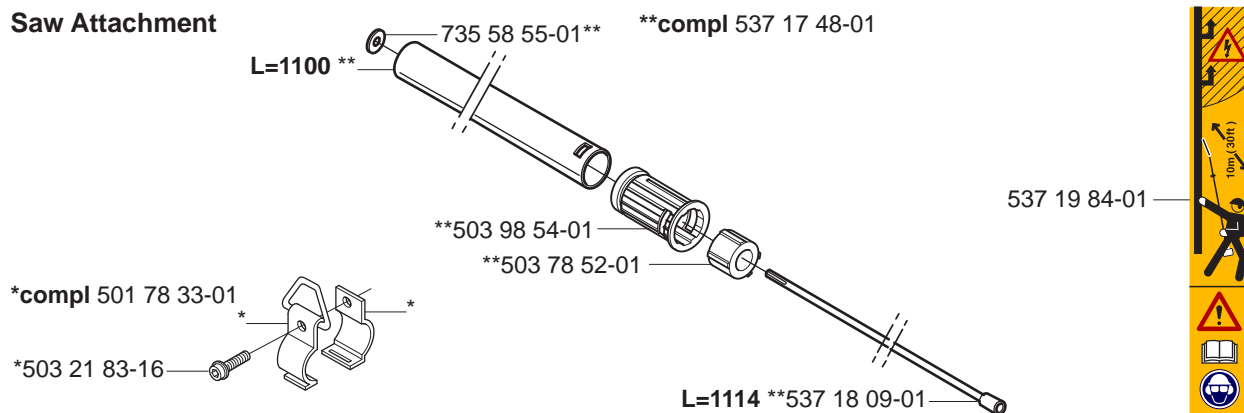
# B 326P4



# B 326P5x



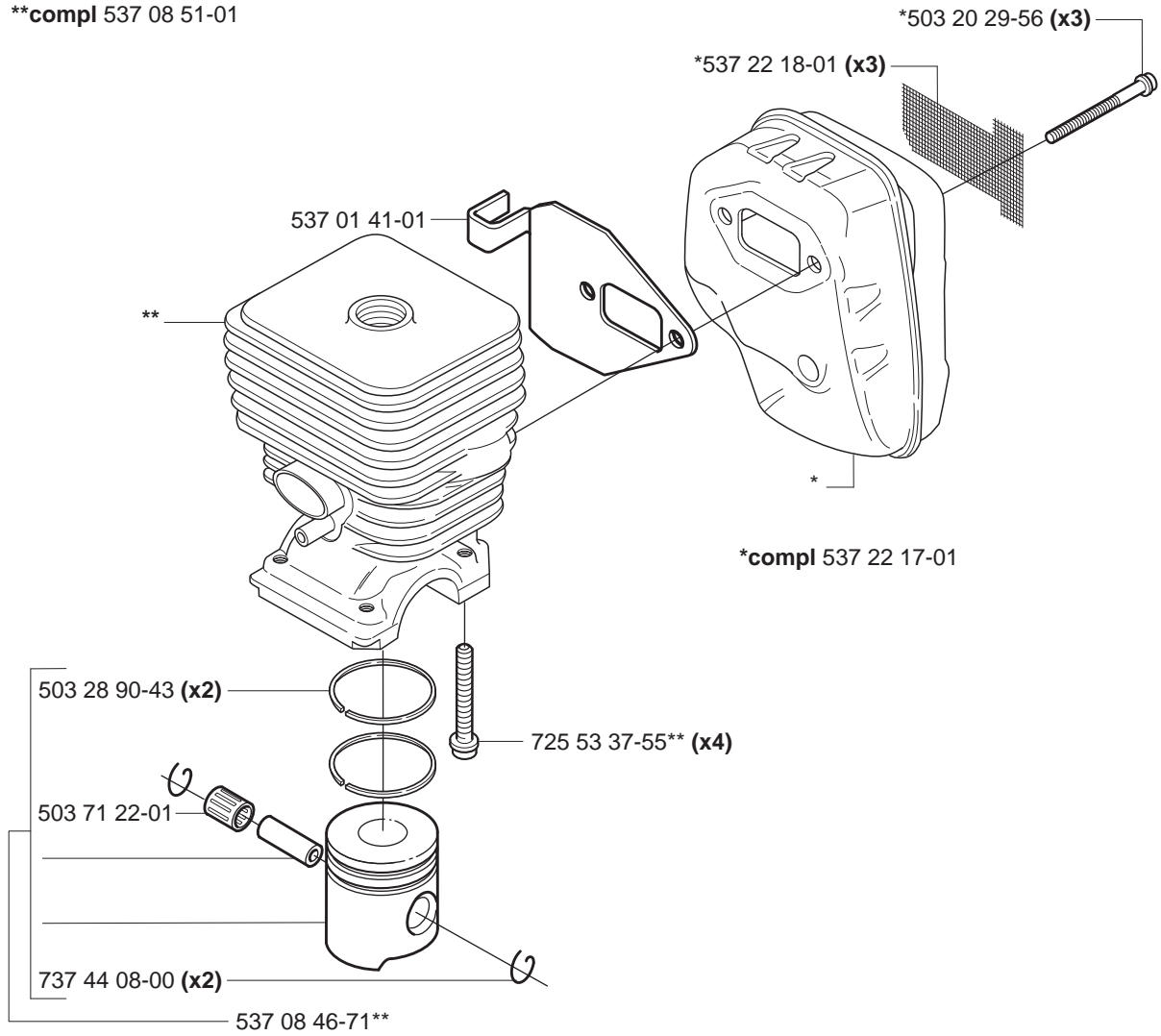
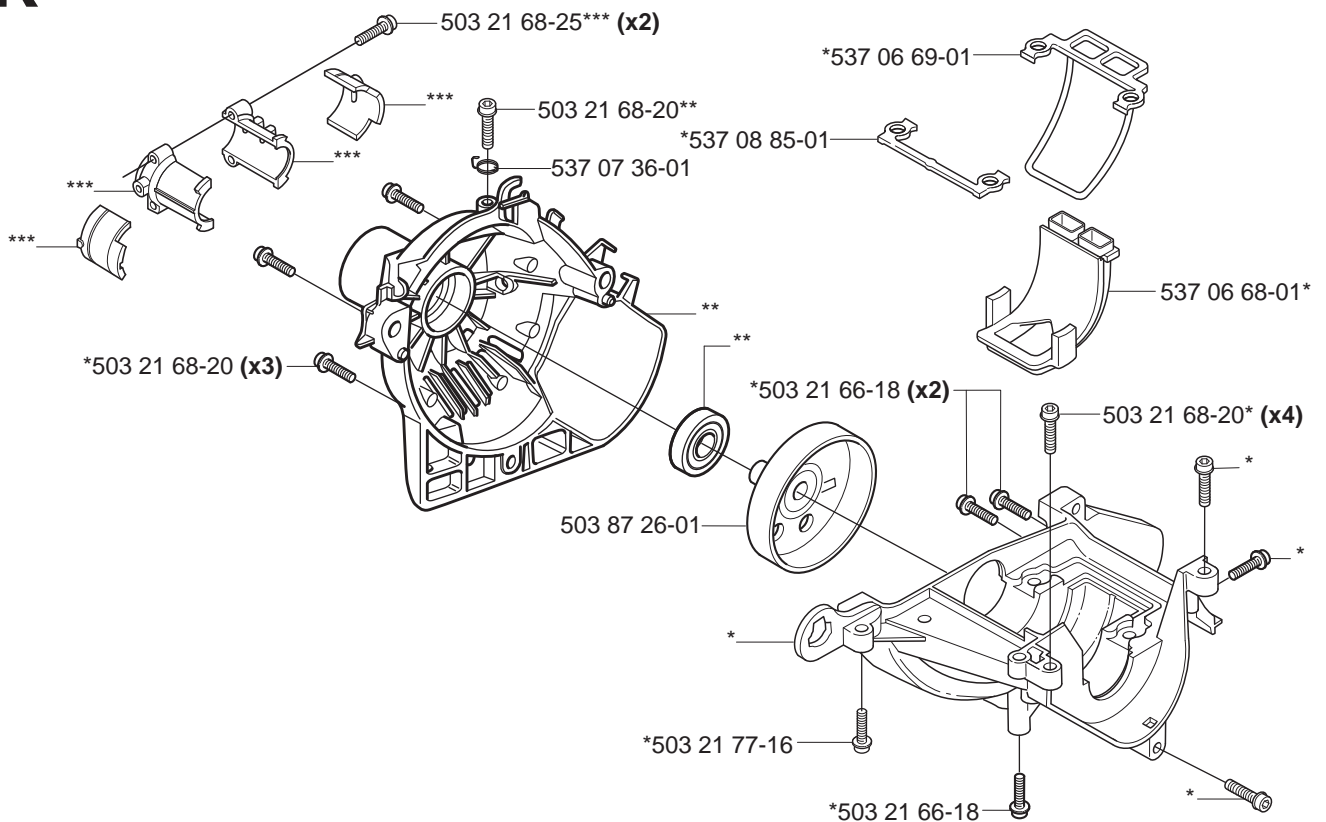
# B Saw Attachment







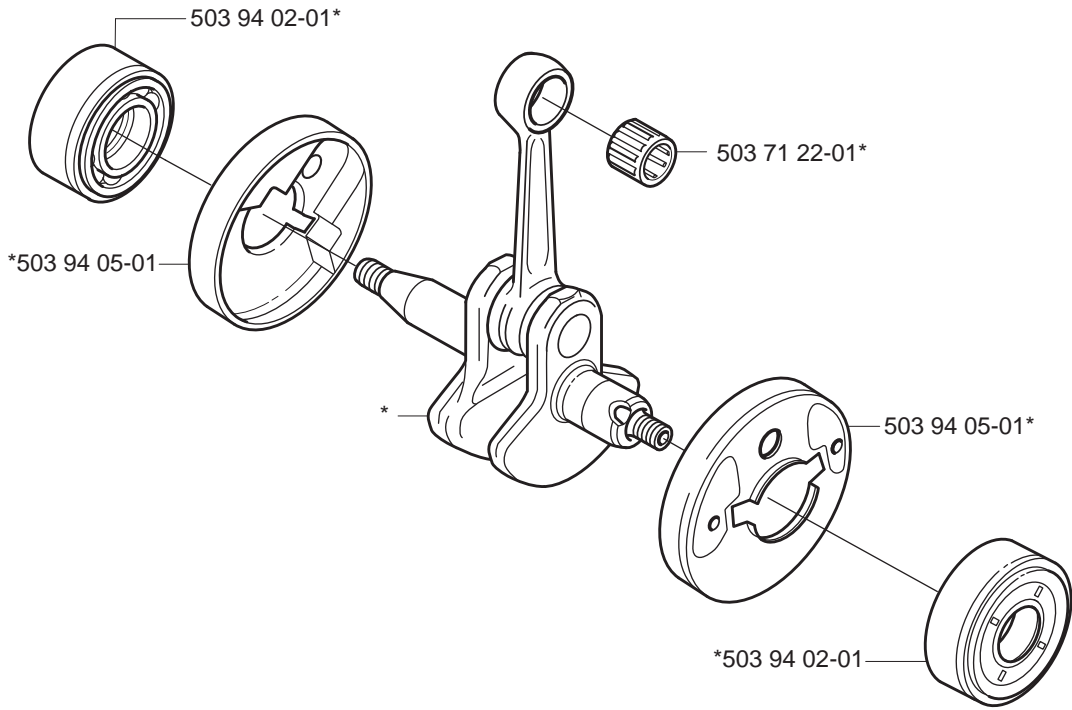


**J****\*\*compl 537 08 51-01****K****\*\*\*compl 537 30 96-01****\*\*compl 537 04 12-03****\*compl 537 08 52-01**



**L**

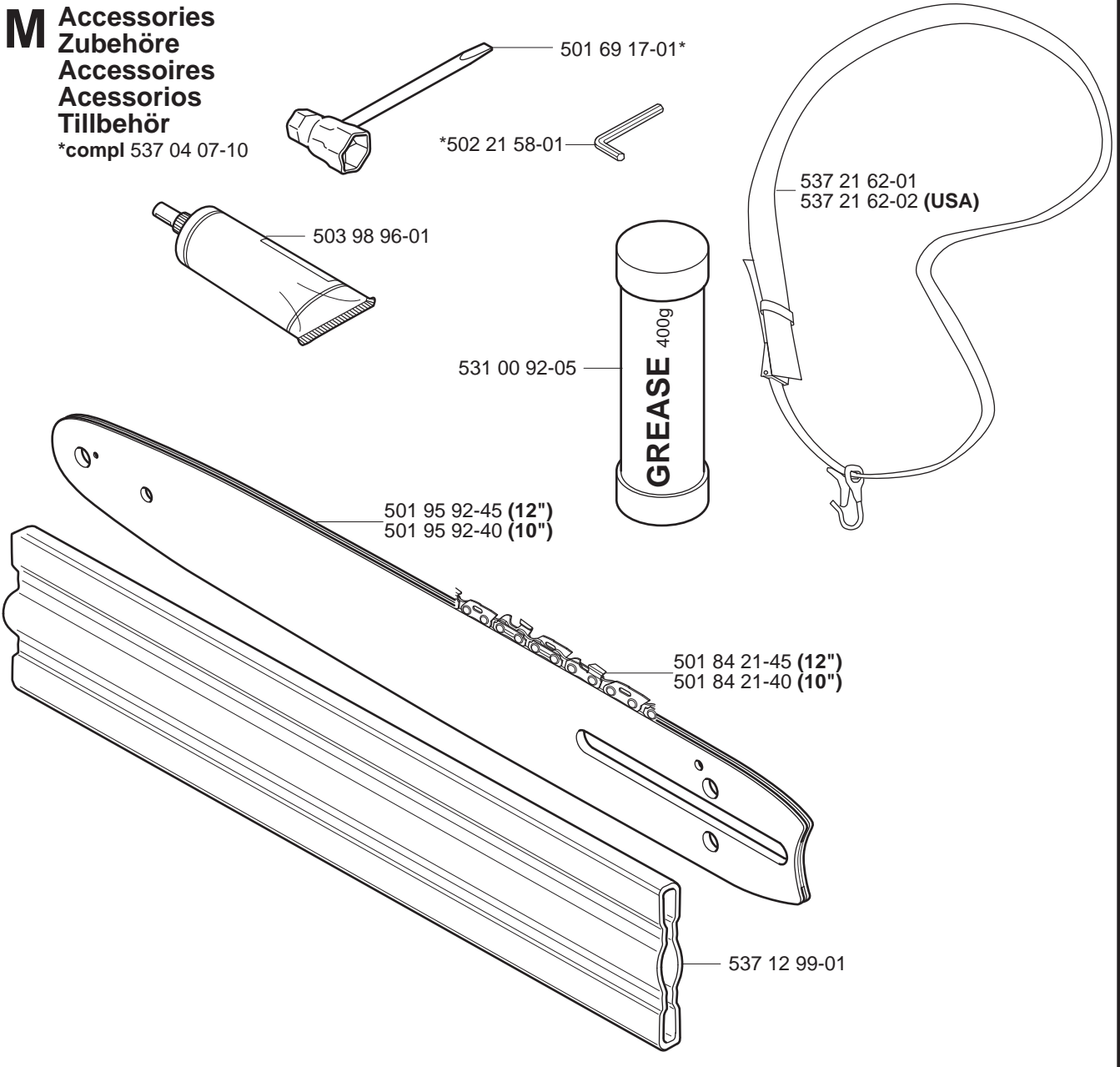
\*compl 503 85 24-74



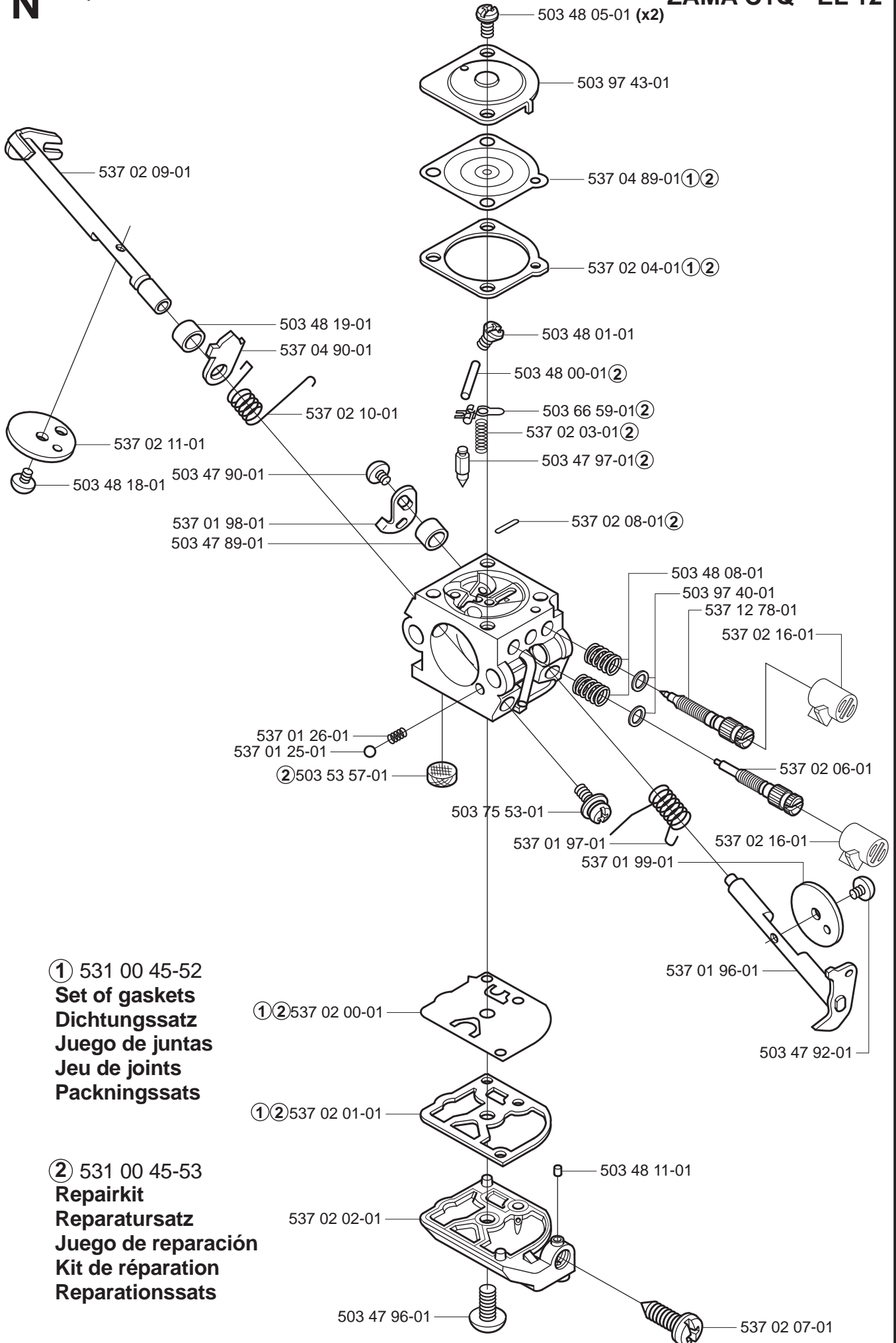
**M**

**Accessories  
Zubehöre  
Accessoires  
Accesorios  
Tillbehör**

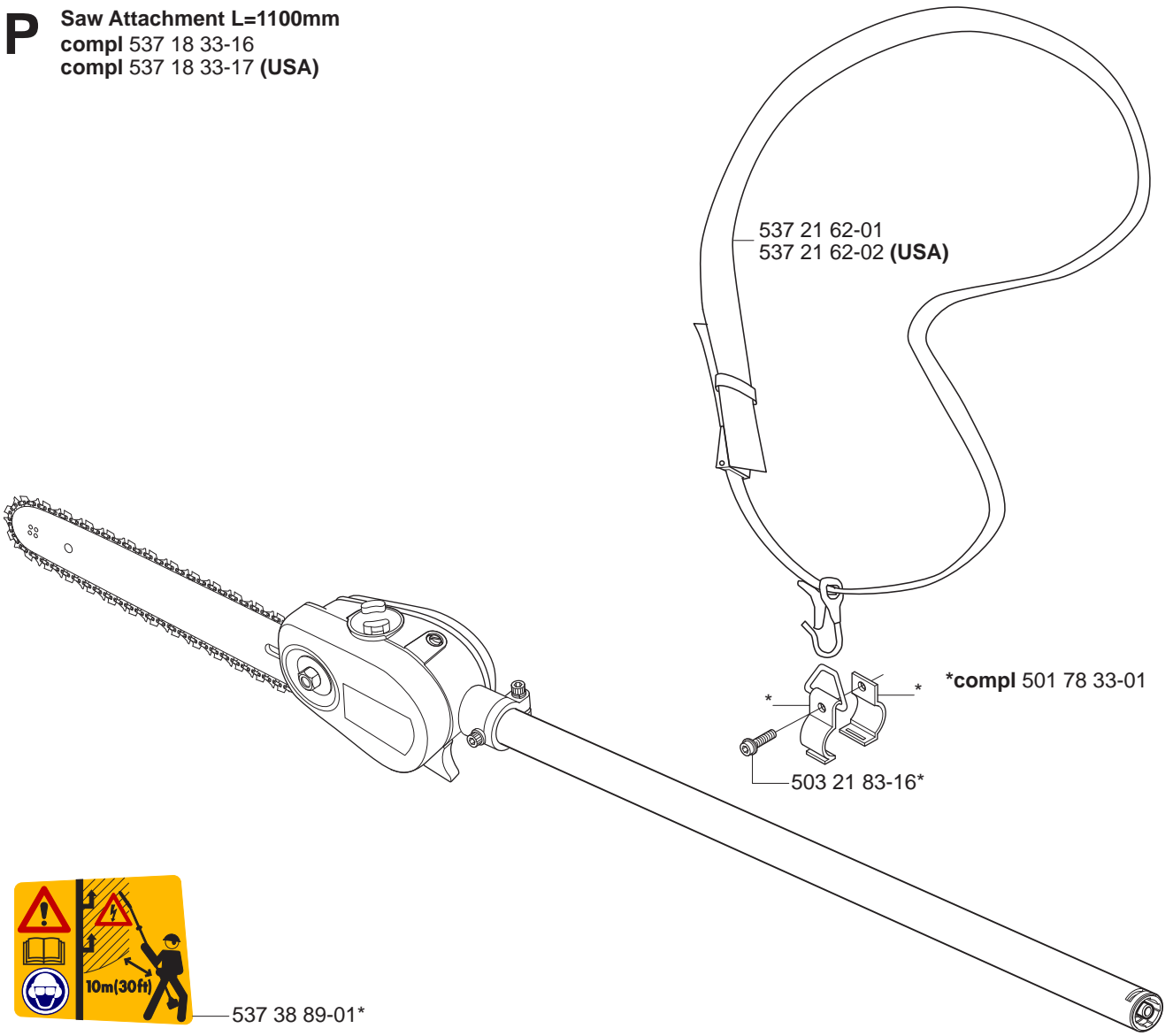
\*compl 537 04 07-10



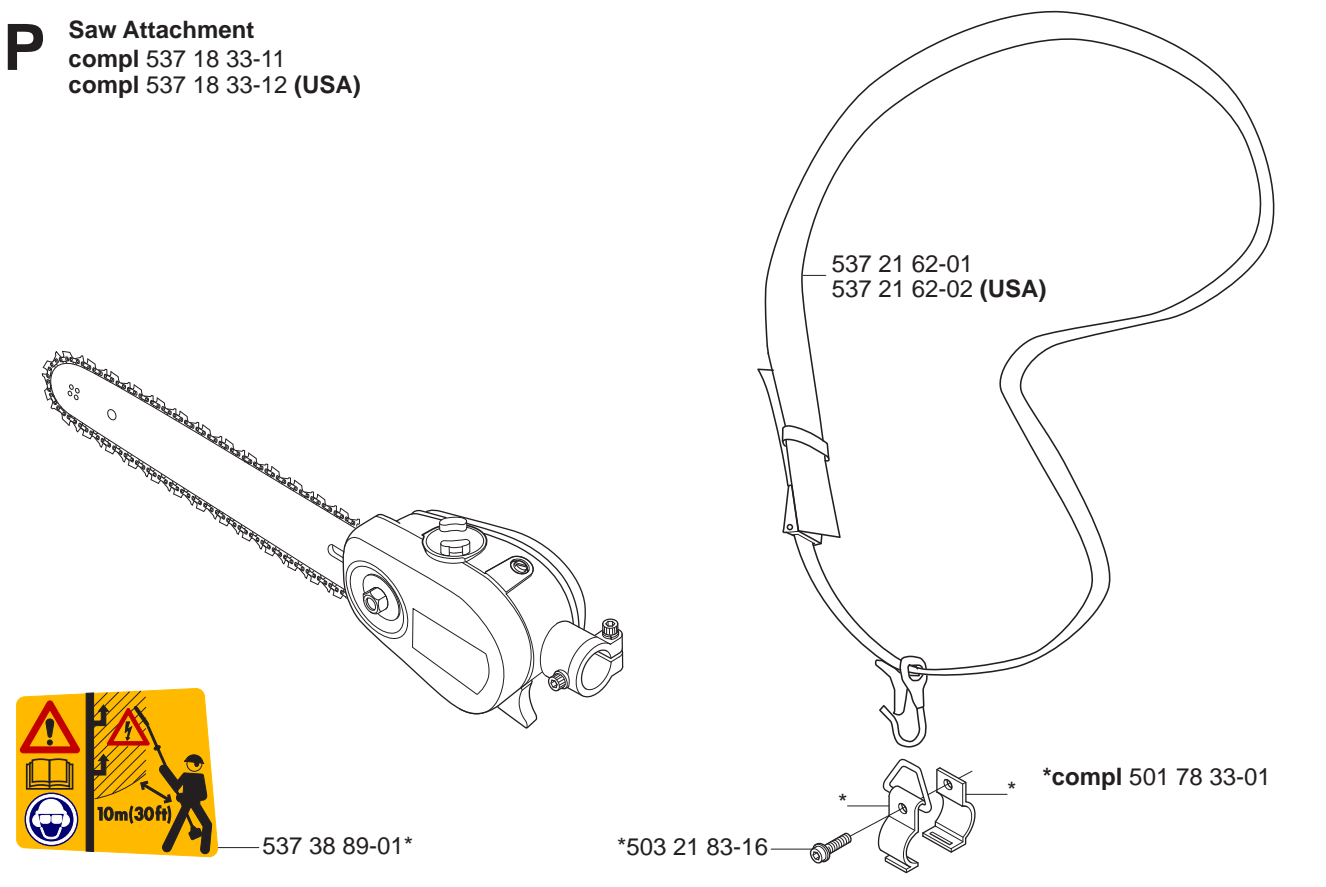




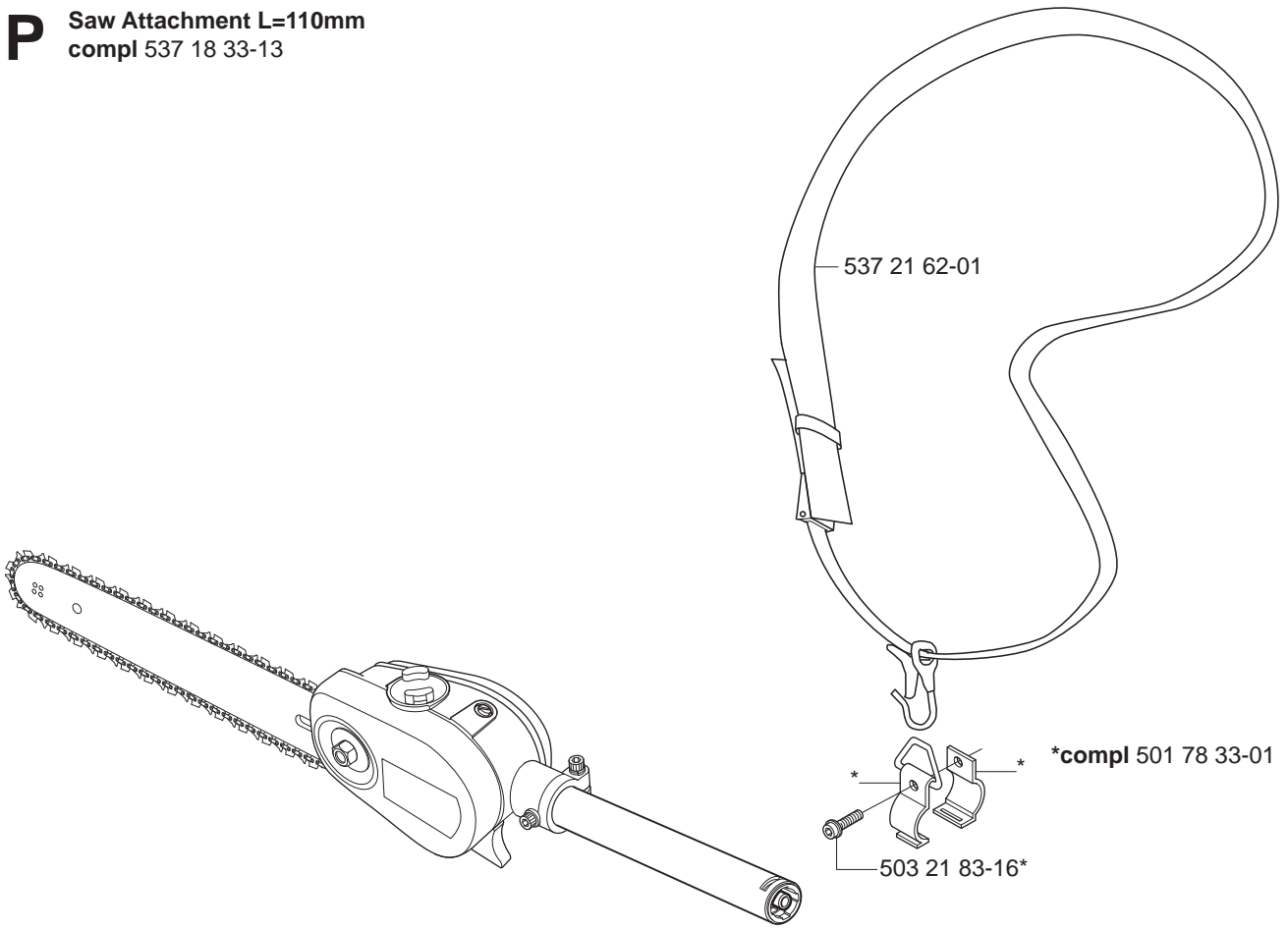
**P** Saw Attachment L=1100mm  
compl 537 18 33-16  
compl 537 18 33-17 (USA)



**P** Saw Attachment  
compl 537 18 33-11  
compl 537 18 33-12 (USA)



**P** Saw Attachment L=110mm  
compl 537 18 33-13



537 38 89-01\*

PART NUMBER	SQUARE	NOTE	PART NUMBER	SQUARE	NOTE	PART NUMBER	SQUARE	NOTE	PART NUMBER	SQUARE	NOTE
501 69 17-01	M		503 87 80-01	C		537 06 66-01	D		725 53 37-55	J	
501 78 33-01	BP		503 87 85-01	C		537 06 68-01	K		731 23 14-01	BD	
501 84 21-40	M		503 87 86-02	C		537 06 69-01	K		731 23 18-01	A	
501 84 21-45	M		503 90 39-01	A		537 06 86-02	G		731 71 16-51	AFH	
501 95 92-40	M		503 91 09-01	E		537 07 36-01	K		735 31 08-20	F	
501 95 92-45	M		503 91 10-01	G		537 07 85-01	B		735 31 11-00	A	
502 20 38-01	B		503 91 18-02	G		537 07 87-01	B		735 31 12-00	A	
502 20 40-01	E		503 91 81-01	C		537 08 38-01	B		735 31 25-10	A	
502 20 65-03	E		503 93 66-01	G		537 08 46-71	J		735 31 27-10	A	
502 21 58-01	M		503 94 02-01	L		537 08 51-01	J		735 58 55-01	B	
503 18 49-01	A		503 94 05-01	L		537 08 52-01	K		737 44 08-00	J	
503 20 03-25	E		503 94 10-01	B		537 08 55-01	B		738 21 00-04	A	N
503 20 07-10	B		503 94 26-01	E		537 08 85-01	K		738 21 99-04	A	N
503 20 07-16	B		503 96 13-01	C		537 09 17-01	H		740 42 03-00	A	N
503 20 07-25	B		503 96 14-01	C		537 12 78-01	N		740 42 06-00	C	
503 20 29-56	J		503 96 25-01	E		537 12 99-01	M		740 68 11-21	E	
503 21 66-18	FCK		503 96 49-01	F		537 14 31-01	E				
503 21 66-20	F		503 97 40-01	N		537 17 22-18	F				
503 21 68-20	DFK		503 97 43-01	N		537 17 22-19	F				
503 21 68-25	K		503 97 82-01	A	N	537 17 45-01	F				
503 21 71-16	DH		503 98 13-01	A	N	537 17 48-01	B				
503 21 75-16	F		503 98 54-01	B		537 17 50-01	B				
503 21 75-20	B		503 98 96-01	M		537 18 09-01	B				
503 21 75-50	E		503 99 55-01	C		537 18 10-01	B				
503 21 77-16	EFK		503 99 55-02	C		537 18 33-11	P				
503 21 83-16	BP		503 99 56-01	C		537 18 33-12	P				
503 22 65-04	E		503 99 56-02	C		537 18 33-13	P				
503 23 00-16	A		504 34 00-04	A		537 18 33-16	P				
503 23 00-42	F		504 71 00-03	A		537 18 33-17	P				
503 23 00-68	A		531 00 45-52	N		537 18 49-01	G				
503 23 51-09	H		531 00 45-53	N		537 19 42-01	A	N			
503 28 31-11	EN		531 00 92-05	M		537 19 44-01	A	N			
503 28 90-43	J		537 00 84-01	F		537 19 58-01	B				
503 44 32-01	G		537 01 13-01	C		537 19 59-01	B				
503 47 89-01	N		537 01 25-01	N		537 19 84-01	B				
503 47 90-01	N		537 01 26-01	N		537 21 62-01	MP				
503 47 92-01	N		537 01 41-01	J		537 21 62-02	MP				
503 47 96-01	N		537 01 96-01	N		537 22 17-01	J	N			
503 47 97-01	N		537 01 97-01	N		537 22 18-01	J	N			
503 48 00-01	N		537 01 98-01	N		537 22 74-01	A	N			
503 48 01-01	N		537 01 99-01	N		537 22 75-01	A	N			
503 48 05-01	N		537 02 00-01	N		537 22 82-01	A	N			
503 48 08-01	N		537 02 01-01	N		537 23 00-01	A	N			
503 48 11-01	N		537 02 02-01	N		537 23 96-01	H				
503 48 18-01	N		537 02 03-01	N		537 24 51-01	B				
503 48 19-01	N		537 02 04-01	N		537 24 60-01	A	N			
503 49 71-01	E		537 02 06-01	N		537 24 68-01	B				
503 53 57-01	N		537 02 07-01	N		537 24 77-01	A	N			
503 57 76-01	G		537 02 08-01	N		537 24 96-01	H				
503 66 59-01	N		537 02 09-01	N		537 27 14-01	A	N			
503 70 80-04	B		537 02 10-01	N		537 27 15-01	A	N			
503 71 22-01	JL		537 02 11-01	N		537 27 16-01	A	N			
503 71 54-01	B		537 02 16-01	N		537 27 17-01	A	N			
503 71 82-01	C		537 03 22-01	H		537 27 18-01	A	N			
503 73 58-01	G		537 03 41-01	F		537 27 29-01	B				
503 75 53-01	N		537 04 03-01	A	N	537 29 09-01	A	N			
503 78 52-01	B		537 04 07-10	M		537 29 10-01	A	N			
503 80 83-02	A		537 04 12-03	K		537 29 11-01	A	N			
503 81 60-01	H		537 04 23-01	H		537 29 90-01	A	N			
503 84 28-01	H		537 04 24-01	G		537 29 92-01	A	N			
503 84 29-02	H		537 04 67-01	H		537 30 96-01	K				
503 85 24-74	L		537 04 68-01	H		537 32 92-01	A	N			
503 85 28-01	F		537 04 89-01	N		537 33 01-01	A	N			
503 85 87-01	F		537 04 90-01	N		537 33 17-01	A	N			
503 85 89-01	F		537 05 68-01	A	N	537 37 15-01	A	N			
503 87 26-01	BK		537 05 78-01	E		537 38 89-01	P	N			
503 87 33-02	F		537 06 44-03	H		725 23 79-51	B				
503 87 35-02	F		537 06 61-01	D		725 53 27-55	A				
503 87 36-01	F		537 06 63-01	E		725 53 29-55	A				
503 87 79-01	C		537 06 65-01	D		725 53 33-55	A				

Set of gaskets, Dichtungssatz,  
Jeu de joints, Juego de juntas,  
Packingssatz

N = New part, Neues teil,  
Nouvelle piece, Nueva pieza  
Ny detalj